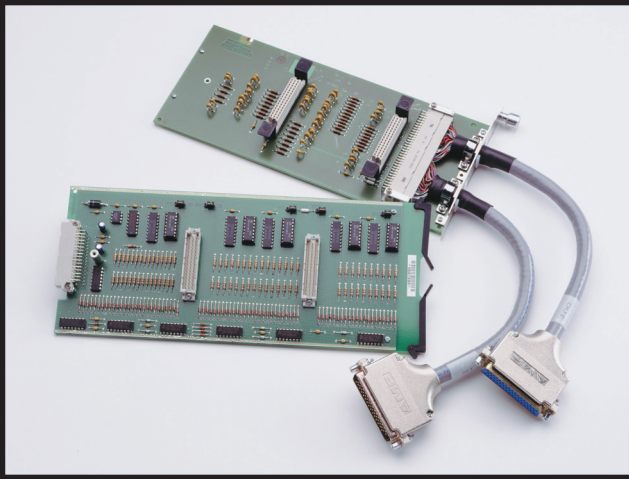


7020 7020-D

Digital I/O Cards

40 Inputs, 40 Outputs



The Model 7020 and 7020-D Digital I/O Interface Cards provide high-density digital input/output capabilities in an easy-to-control form. The 7020 and 7020-D both have 40 independent inputs and 40 independent outputs, so they're well-suited for monitoring and controlling large automated test applications compactly and cost-effectively. The 7020 provides a 96-pin mass terminated connector. The 7020-D has two heavy duty 50-pin D-sub connectors at the ends of short cables. The D-sub connector version is designed for industrial/production applications where repeated connects/disconnects with external cables are required.

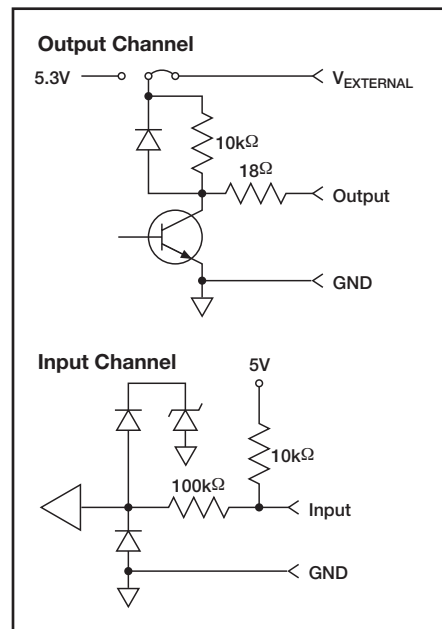
- 80-bit control – 40 in/40 out
- Input and output protection
- Use internal 5.3V power supply or external power supply

Ordering Information

- 7020 Digital I/O Card with 96-pin Mass Terminated Connector Board
- 7020-D Digital I/O Card with D-sub Connectors

Accessories Supplied

With 7020: 7011-KIT-R 96-Pin Female Connector Kit



CONNECTOR:

- 7020: 96-pin male DIN connector.
7020-D: Cables with 50-pin male and female D-sub connectors.

7020-DT: Mass terminated card with D-sub connectors.

DIGITAL I/O CAPABILITY: 40 independent inputs. 40 independent outputs.

OUTPUT SPECIFICATIONS:

CONFIGURATION: 40 open-collector drivers with factory installed 10kΩ pull-up resistors. Pull-up resistors can be removed when driving external pull-up devices. Each driver has an internal flyback diode.

PULL UP VOLTAGE: 5.3V internally supplied, external connection provided for user supplied voltage 25V max. Removal of internal jumper allows use of two different pull-up voltages.

MAXIMUM SINK CURRENT: Per Channel: 65mA. Per Bank (8 bits): 500mA. Per Card: 1A.

CURRENT LIMIT: Positive Temperature Coefficient circuit protector in series with each output. Output protection resistance <18Ω.

COLLECTOR-EMITTER SATURATION VOLTAGE: <0.75V @ 1mA. <1V @ 65mA.

INPUT SPECIFICATIONS:

CONFIGURATION: 40 inputs with internal 10kΩ pull-up resistors.

CHARACTERISTICS:

Input logic low voltage:	0.8 V max.
Input logic high voltage:	2 V min.
Input logic low current:	-600 μA max. @ 0V
Input logic high current:	50 μA max. @ 5V

MAXIMUM VOLTAGE LEVEL: 42V peak.

ACCESSORIES AVAILABLE

FOR 7020

- 7011-KIT-R 96-Pin Female Connector Kit
- 7020-MTC-2 96-Pin Mass Terminated Cable, Female to Female, 2m

7011-MTR 96-Pin Male Connector Kit

FOR 7020-D

- 7020-DT Extra Connector Board

1.888.KEITHLEY (U.S. only)

www.keithley.com

KEITHLEY

A GREATER MEASURE OF CONFIDENCE

Use with 7001 and 7002 Switch Mainframes

SWITCHING & CONTROL